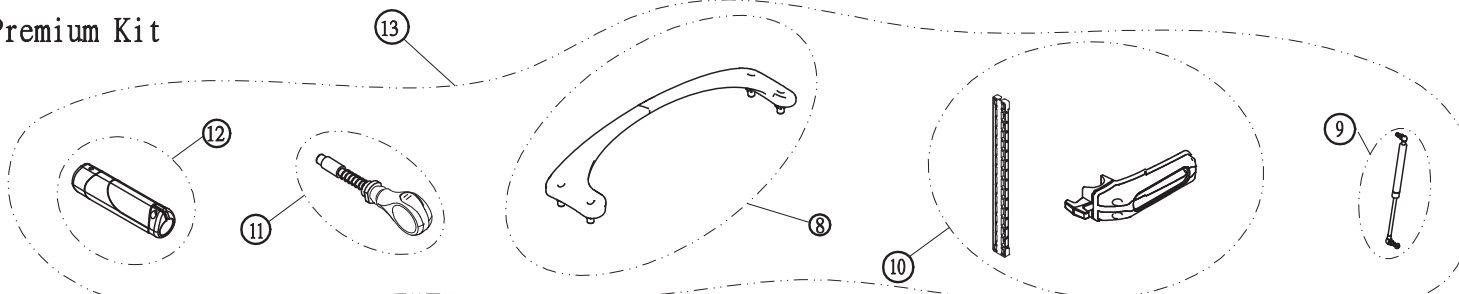
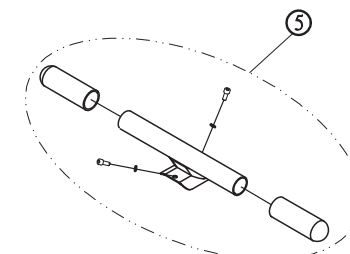


DRAWING NO	PVSGM67-KM
PART NAME	Explosive Diagram
PART NO	MGM0401-00
APPROVE	wangziwen DATE 20200924

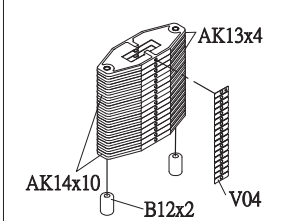
Premium Kit



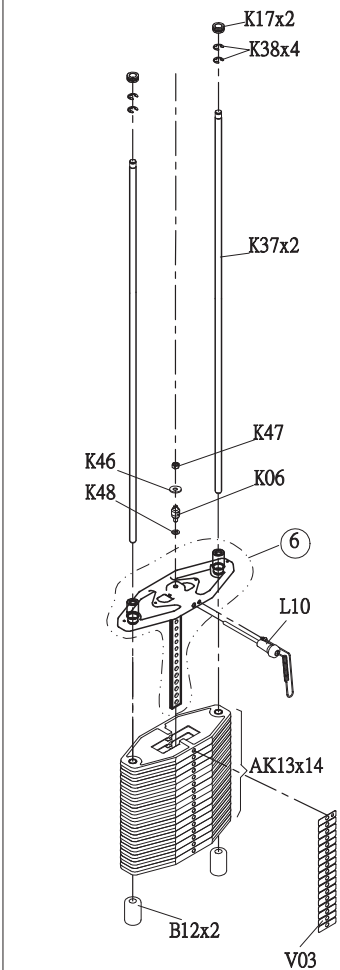
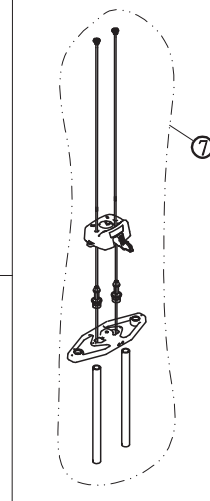
Foot Rest



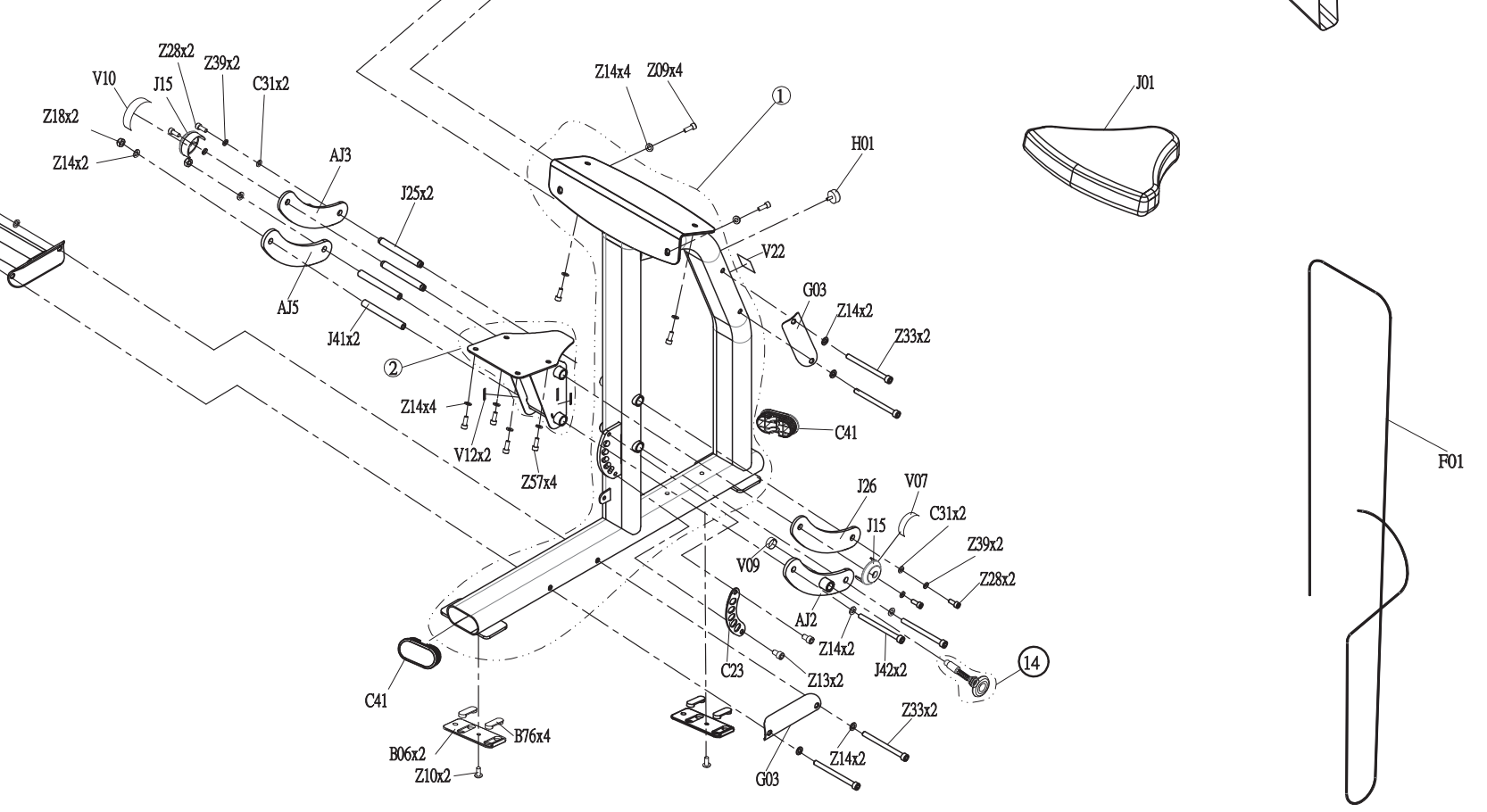
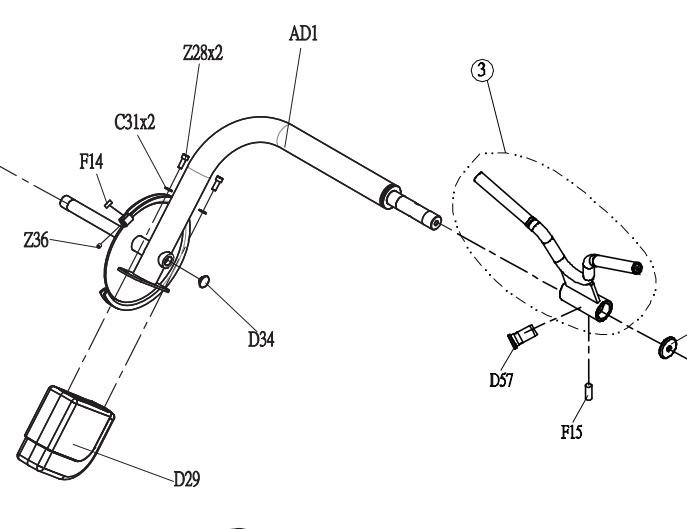
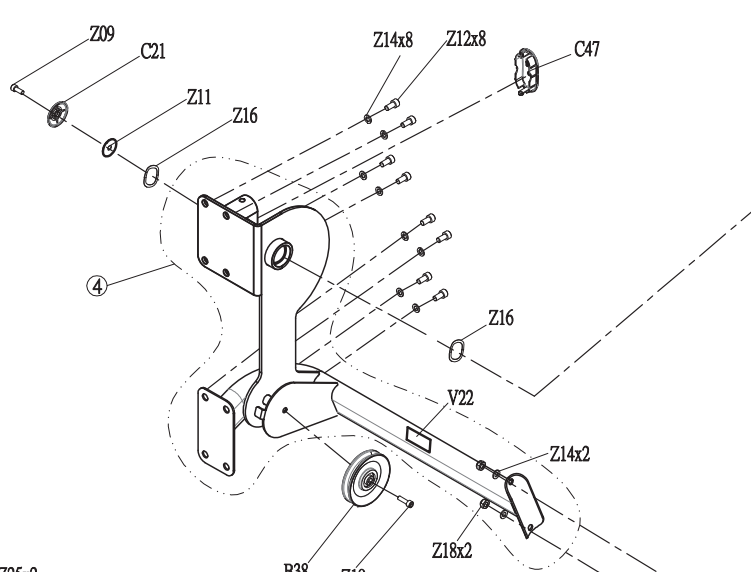
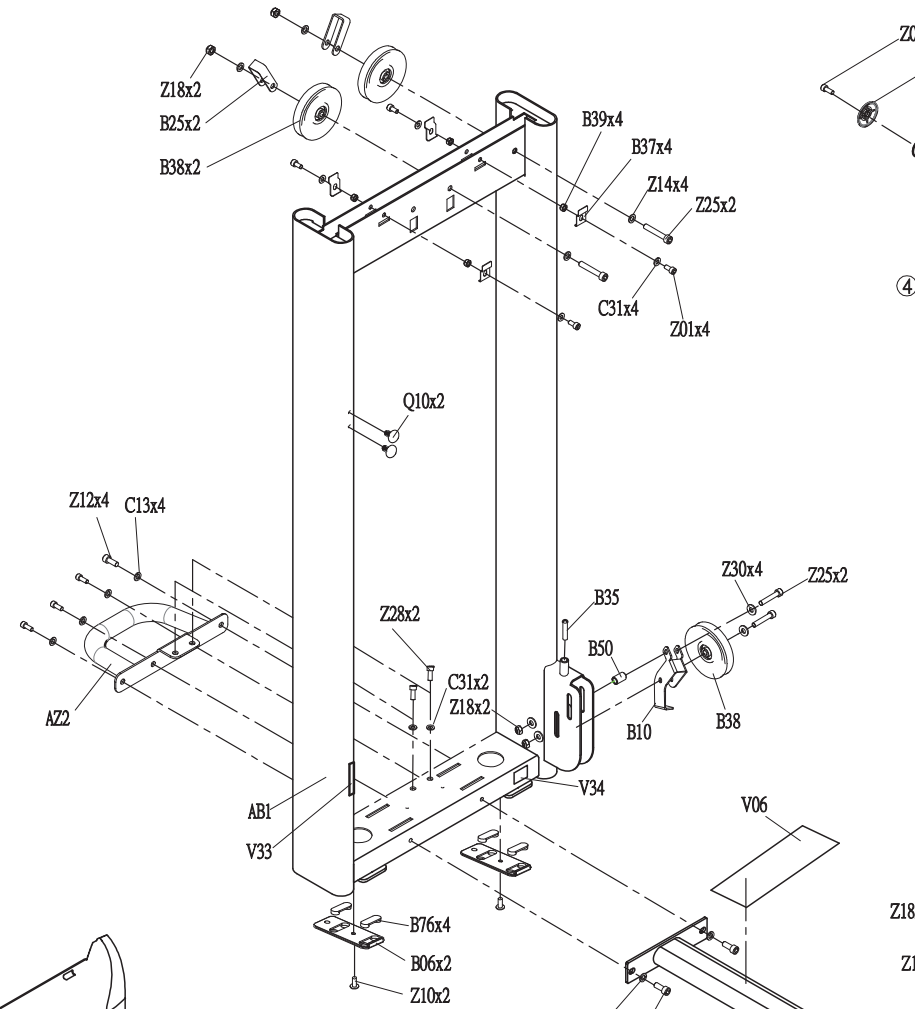
Heavy Weight 200lbs



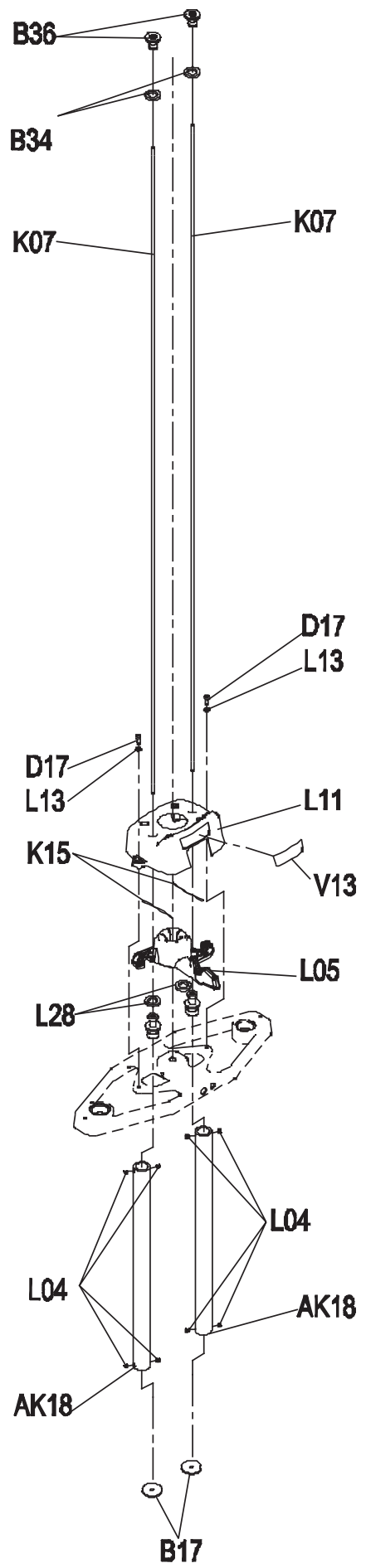
Increment Weight



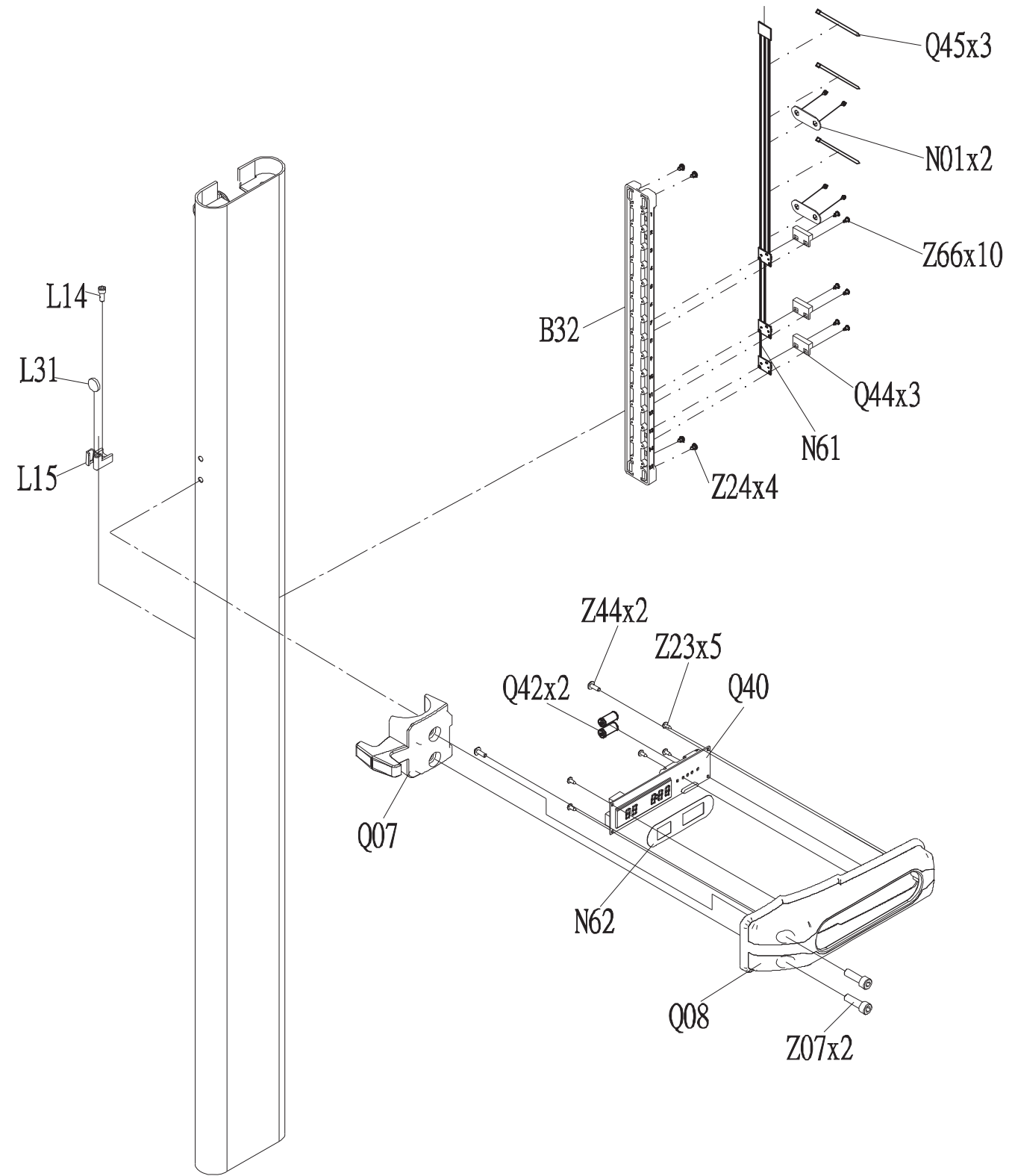
150lbs Weight Stack



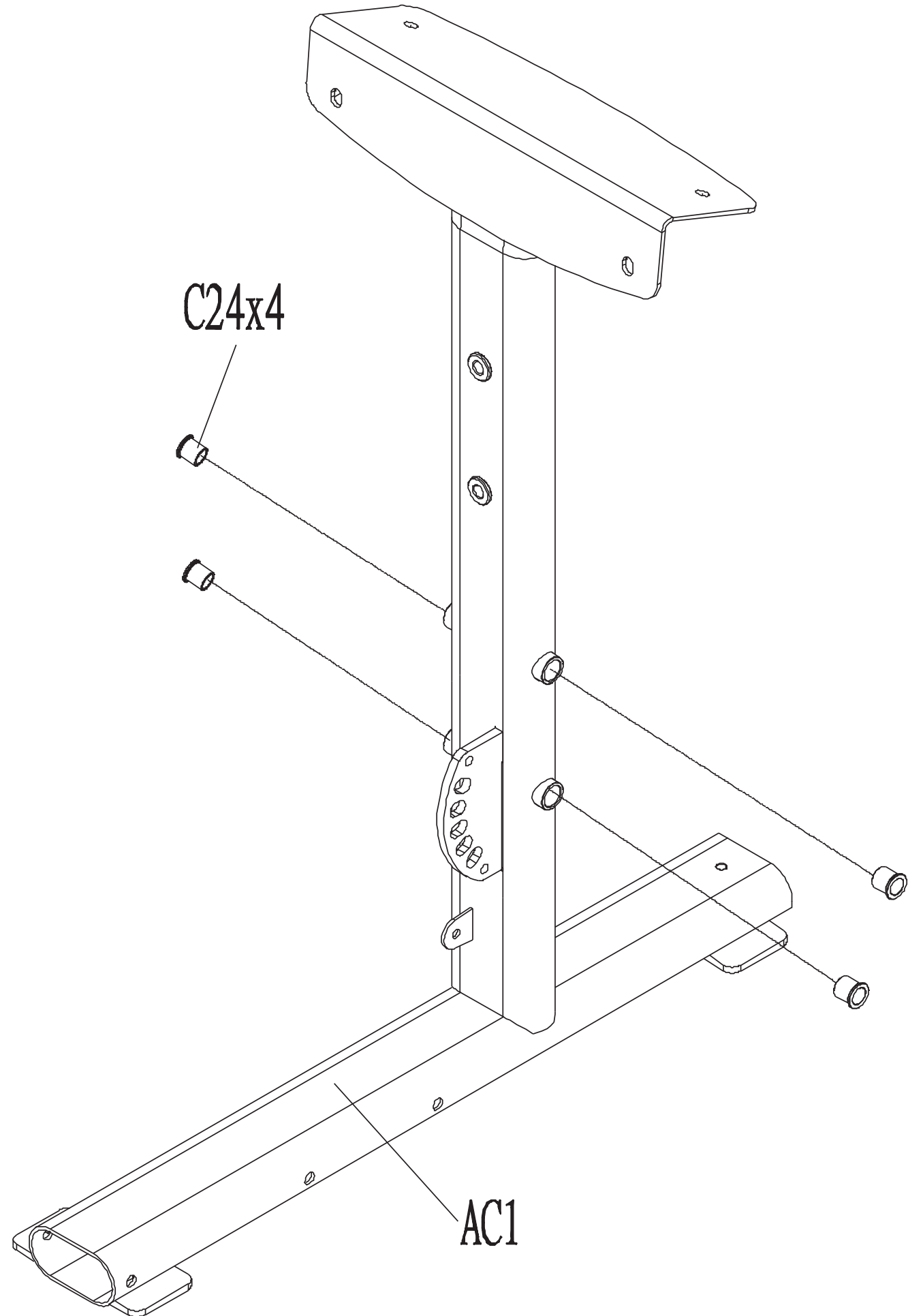
DRAWING NO			
PART NAME	Assistant weight Plate Set		
PART NO	1000113110	REV	A
APPROVE	ANDY	DATE	20130125



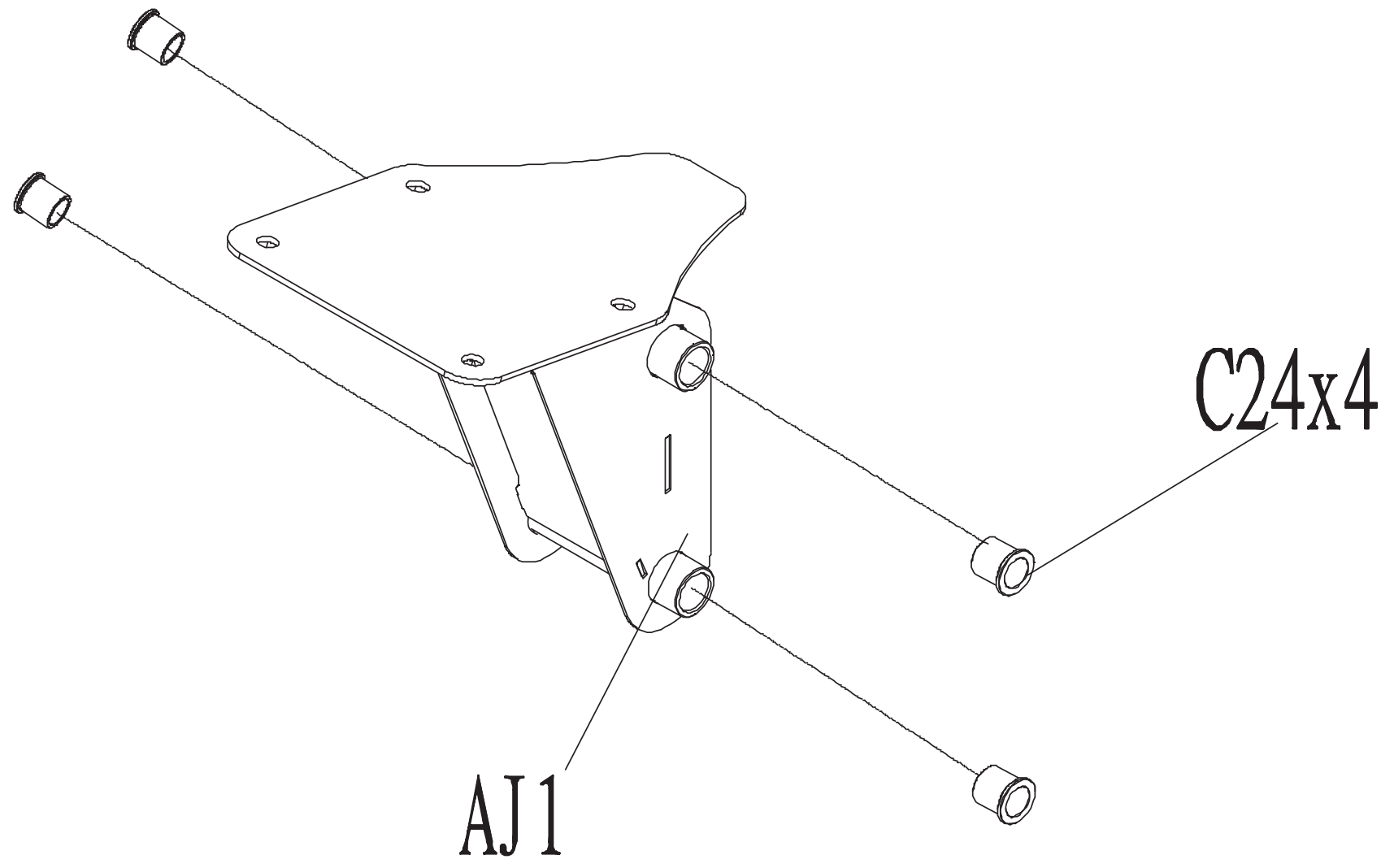
DRAWING NO			
PART NAME	SENSE ORGAN SET		
PART NO	1000200250	REV	A
APPROVE	JOHN	DATE	20120711



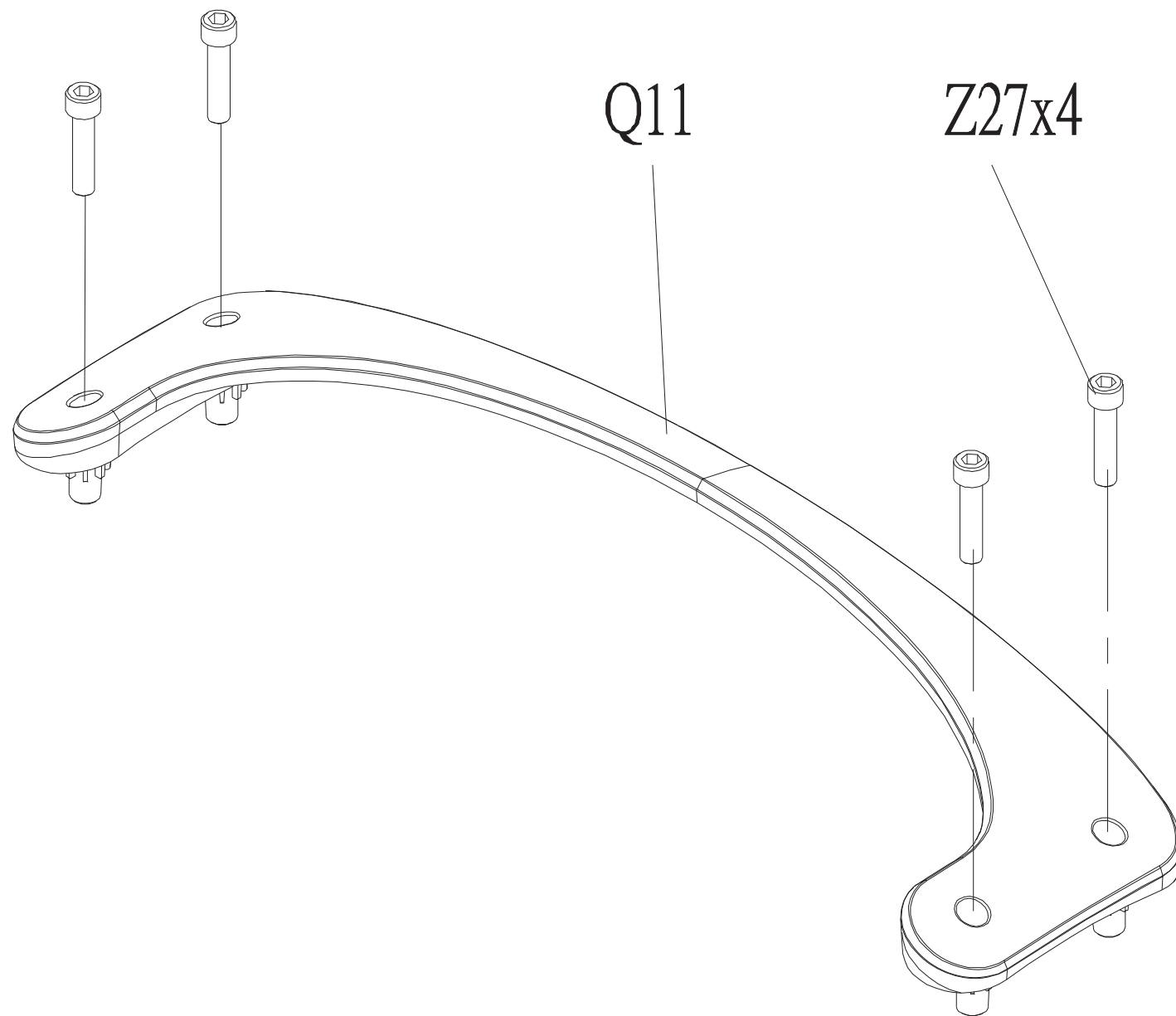
DRAWING NO	
PART NAME	USER FRAME SET
PART NO	1000207794 <small>REV</small> A
APPROVE	BONNIE DATE 20111227



DRAWING NO			
PART NAME	SEAT SET; - ;GM67		
PART NO	1000217892 R/A		
APPROVE	BONNIE	DATE	20121227

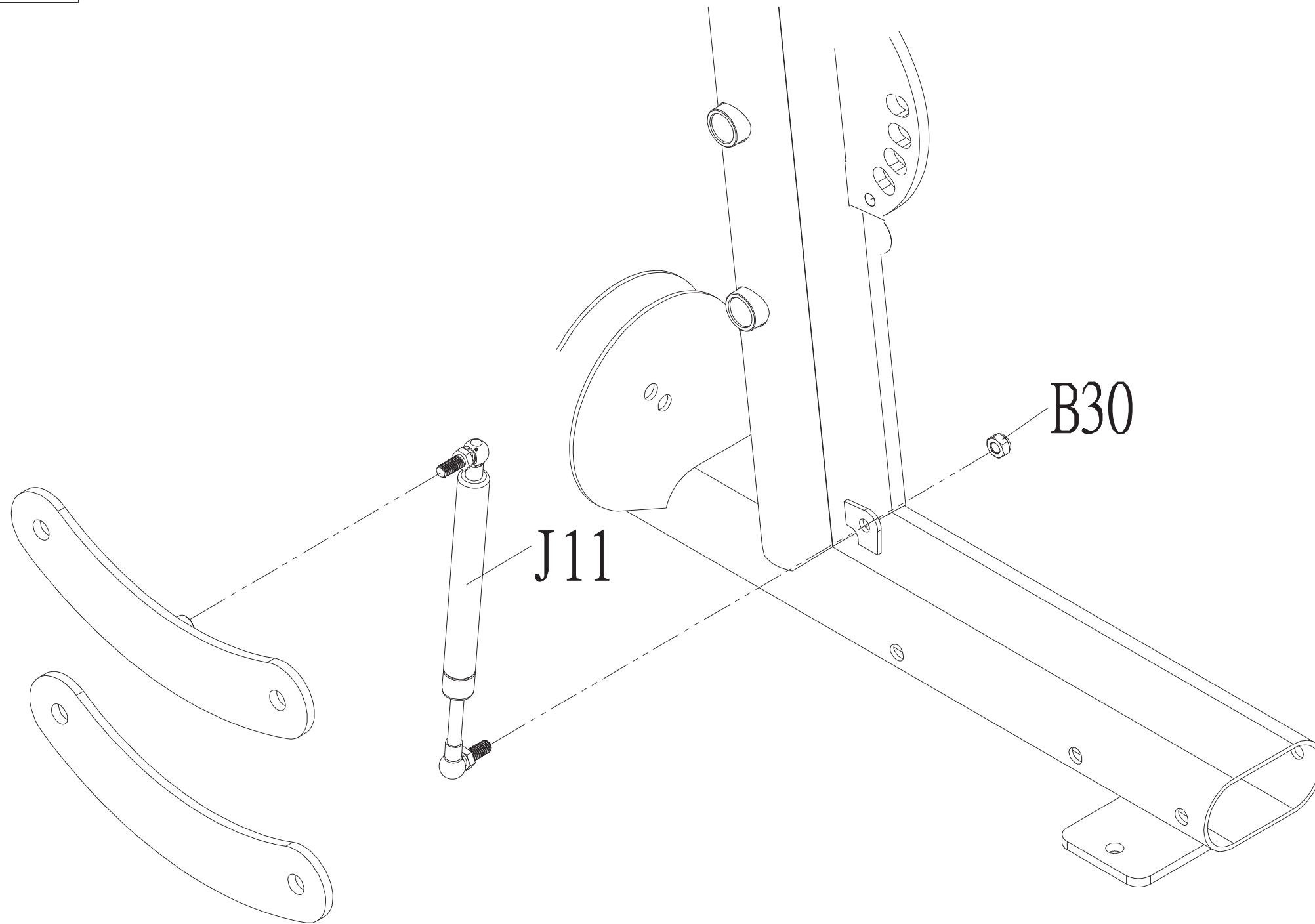


DRAWING NO	GM59-SF06		
PART NAME	Shield Set		
PART NO	See Chart	REV	A
APPROVE	Chenyng	DATE	20200121

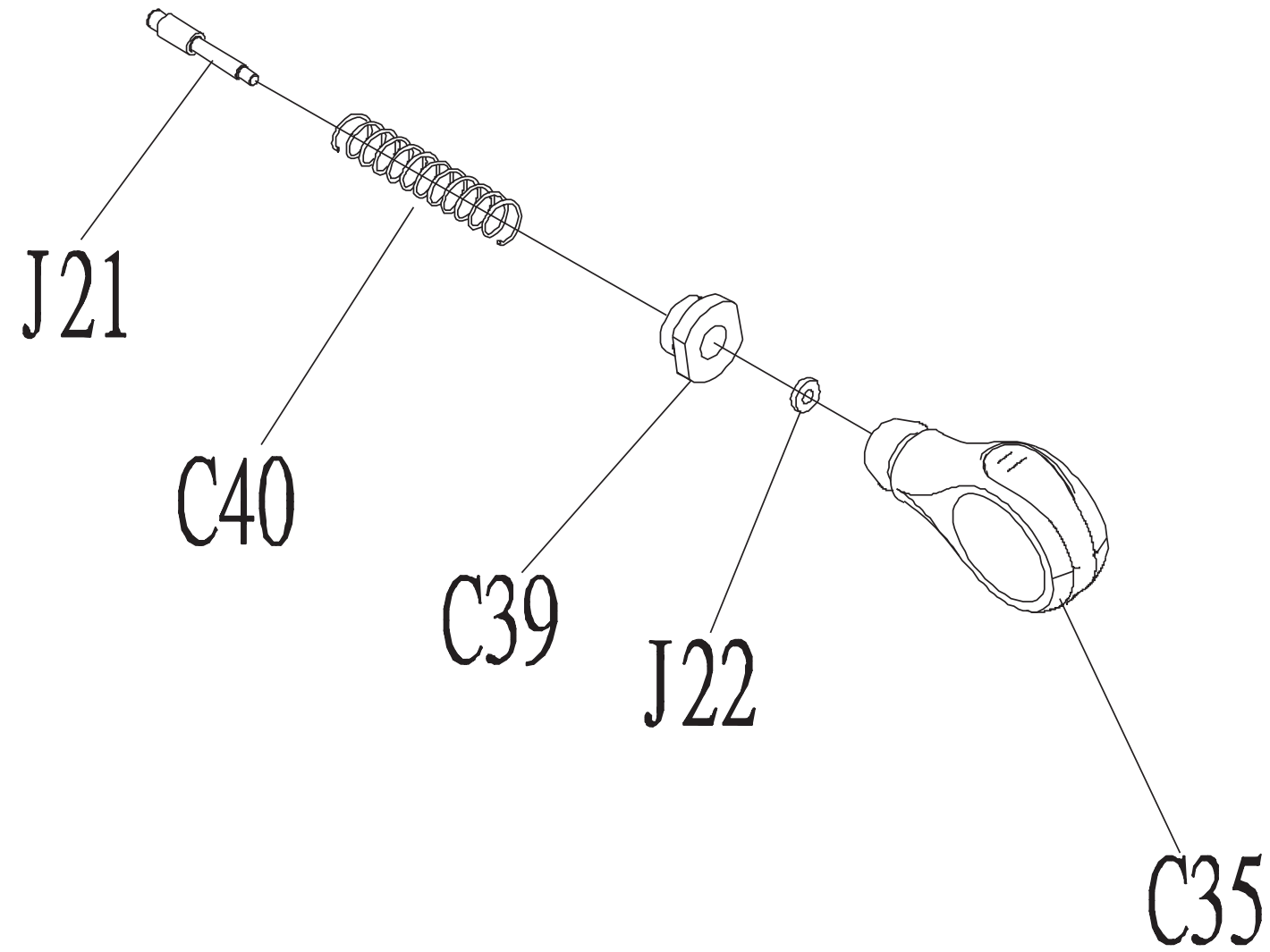


SAP NO.	Colour
1000220477	Bright Silver
1000437988	Black Matte
1000444719	Golden

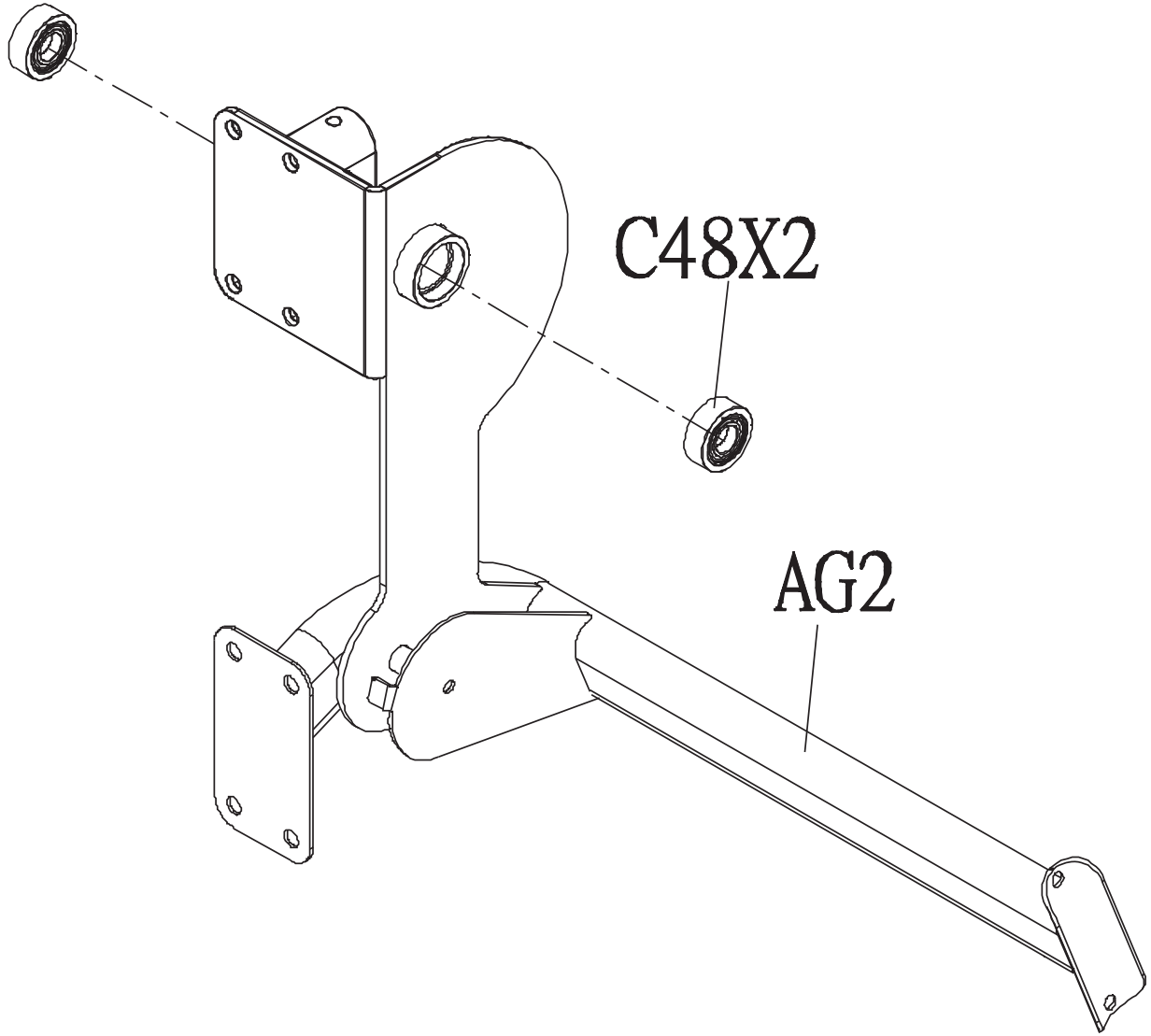
DRAWING NO	GM59-SF11		
PART NAME	Air Shock Set		
PART NO	1000220728		A
APPROVE	WangTao	DATE	2020.08.06



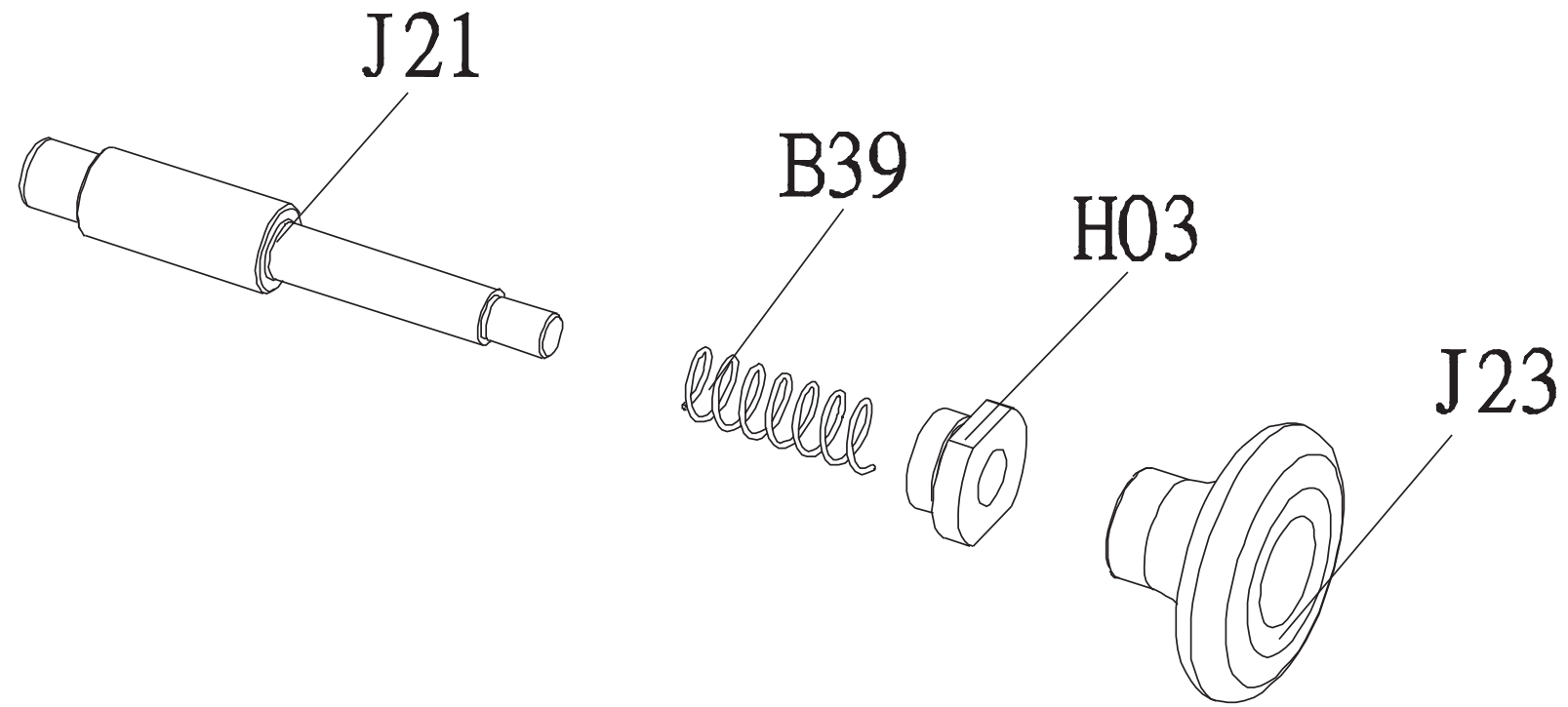
DRAWING NO	
PART NAME	PIN SET;SA;PREMIUM;GM67
PART NO	1000228232 ^R _A
APPROVE	BONNIE DATE 20111227



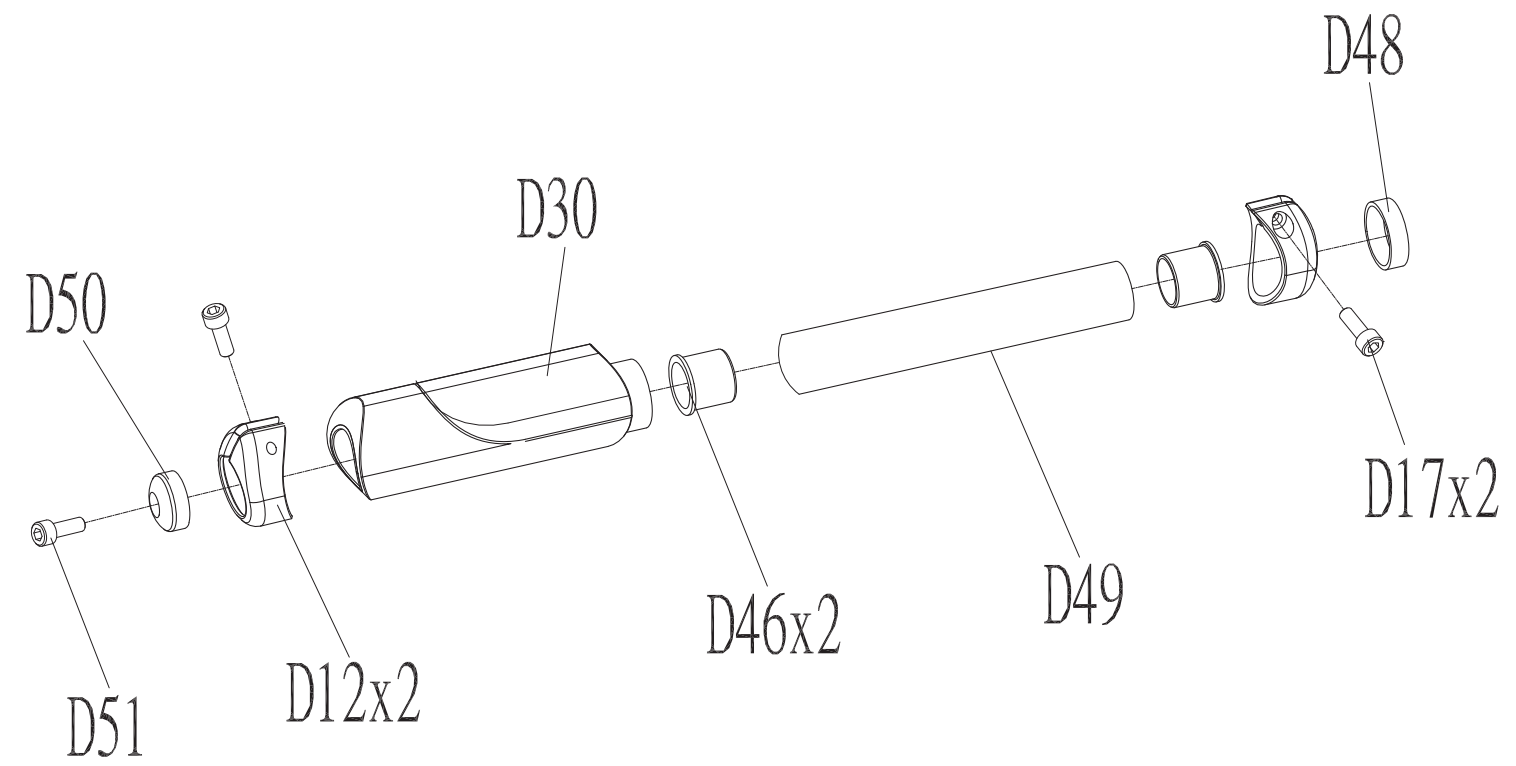
DRAWING NO			
PART NAME	BASE CONNECT SET;SA;U;GM67;SERVICE		
PART NO	1000228486	REV	B
APPROVE	JOHN	DATE	20120719



DRAWING NO			
PART NAME	PULL PIN SET;GM67		
PART NO	1000228585	REV	A
APPROVE	JOHN	DATE	20120818

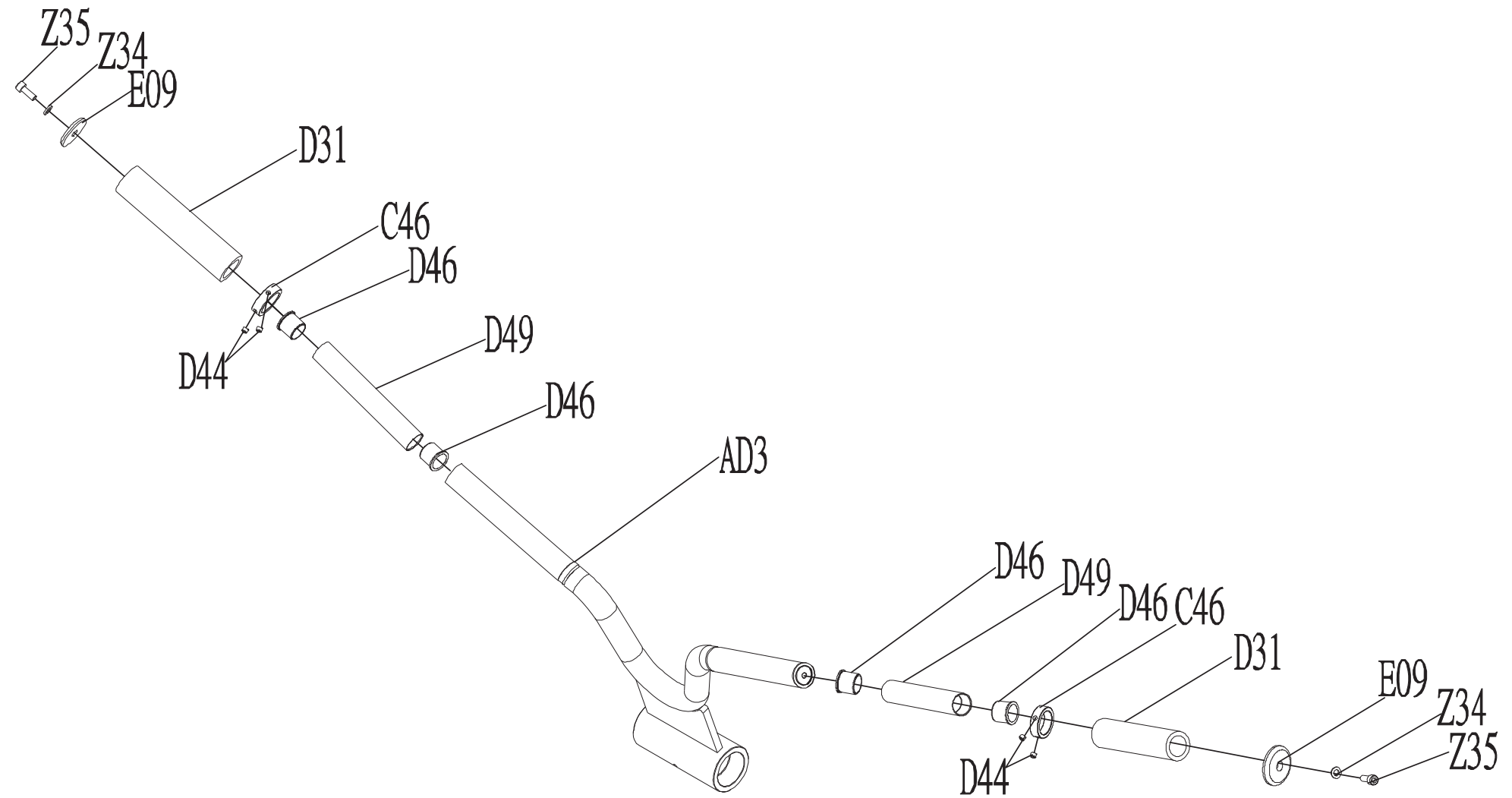


DRAWING NO			
PART NAME	Handle set ; front ; GM67		
PART NO	1000300003	REV	A
APPROVE	John	DATE	07/19/12



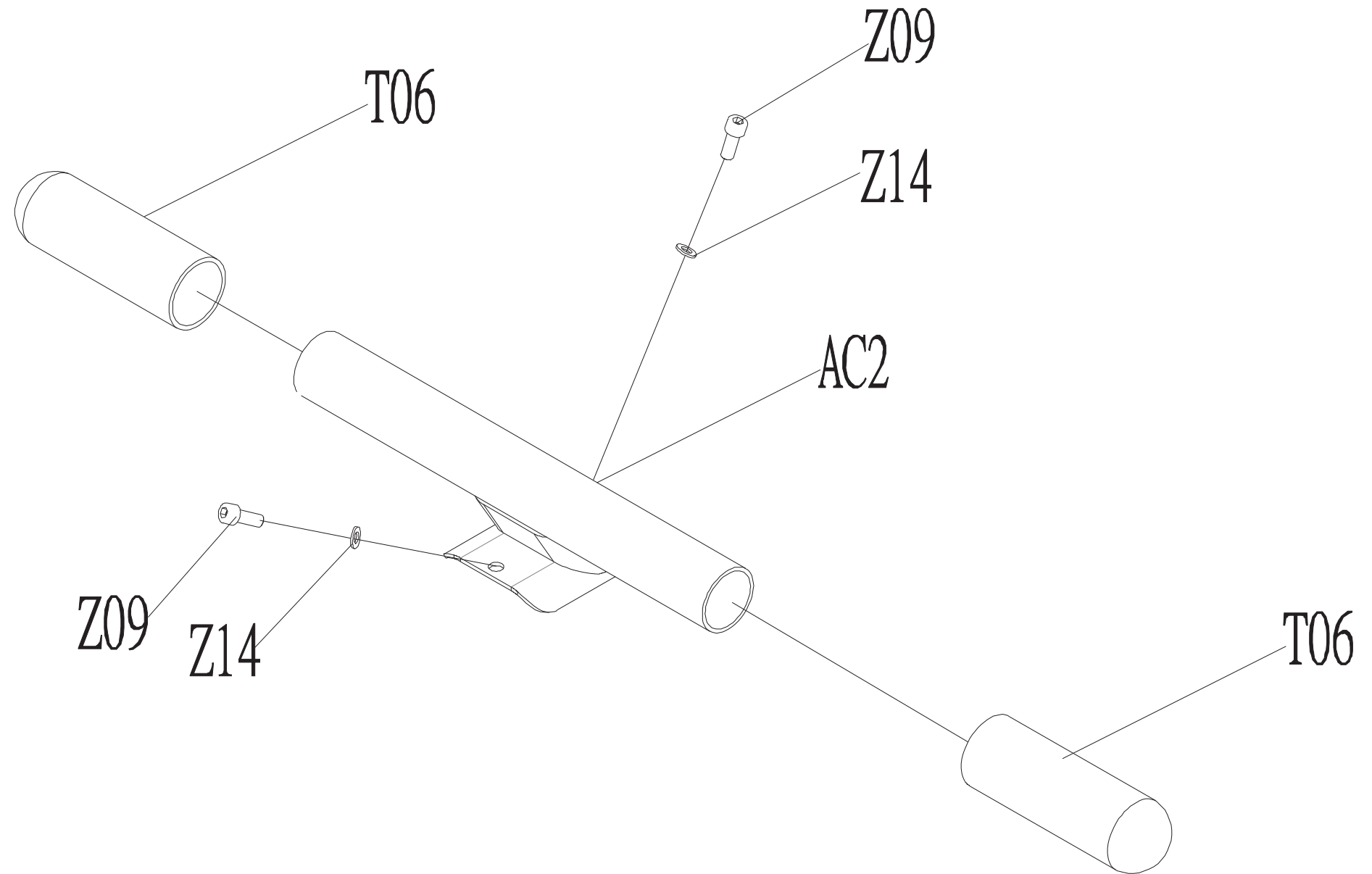
DRAWING NO	GM67H-SF03		
PART NAME	Handle Set		
PART NO	See Chart	REV	A
APPROVE	Sam	DATE	02.25.2020

Part NO.	Color
1000395626	Iced Sliver
1000394881	Mat Black
1000395640	Lace White
1000395642	Black Glossy
1000395636	Polarized Titanium
1000394633	Platinum
1000395638	Pearl White
1000449289	Blue PT300C

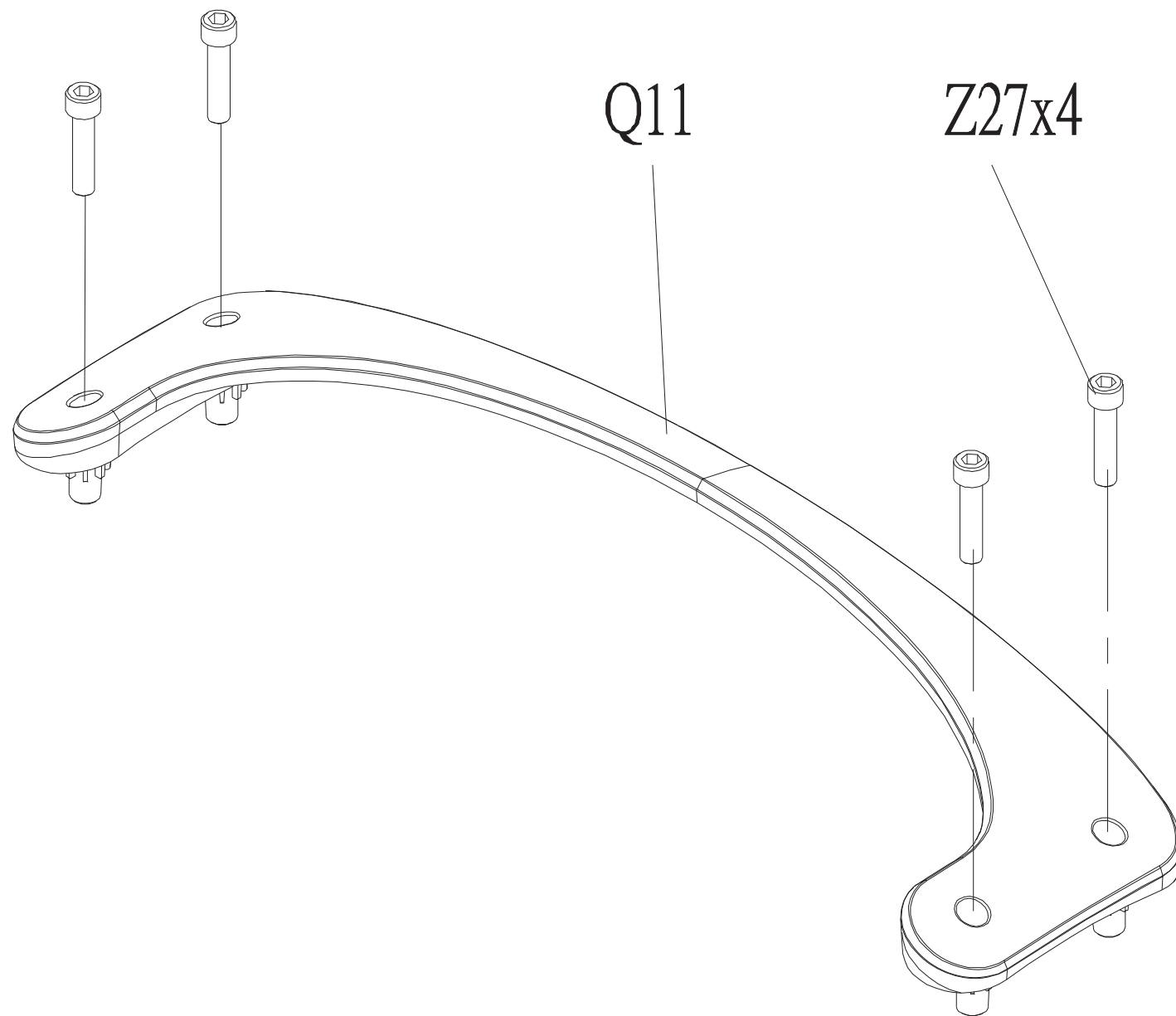


DRAWING NO	GM67H-SF05		
PART NAME	Pedal set		
PART NO	See Chart	REV	A
APPROVE	Sam	DATE	02.25.2020

Part NO.	Color
1000403766	Iced Sliver
1000403777	Mat Black
1000403772	Lace White
1000403780	Black Glossy
1000403770	Polarized Titanium
1000403768	Platinum
1000403774	Pearl White
1000449291	Blue PT300C

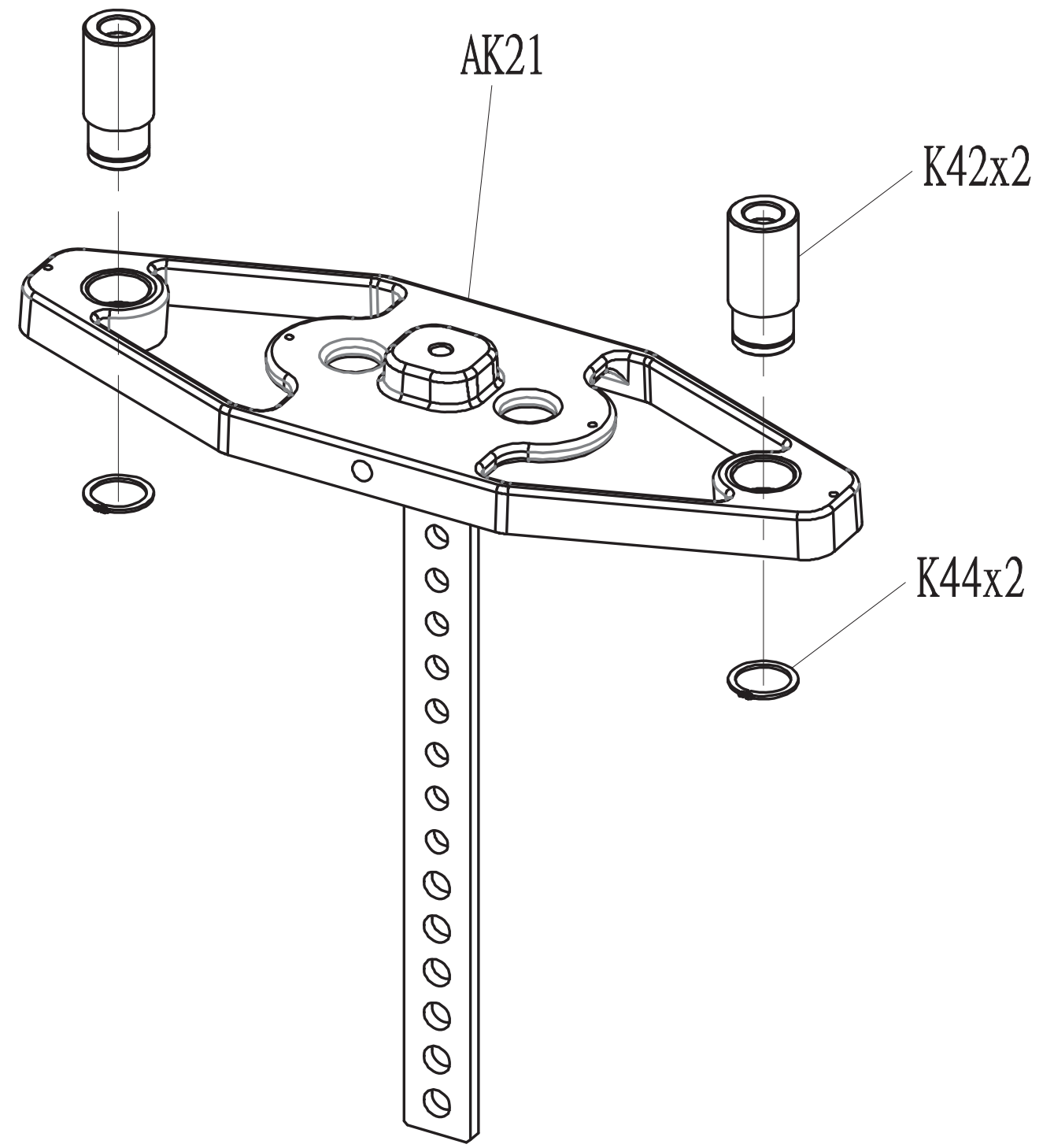


DRAWING NO	GM59-SF06		
PART NAME	Shield Set		
PART NO	See Chart	REV	A
APPROVE	Chenyng	DATE	20200121



SAP NO.	Colour
1000220477	Bright Silver
1000437988	Black Matte
1000444719	Golden

DRAWING NO	GM59-AK23		
PART NAME	Select the group		
PART NO	1000448863	REV	A
APPROVE	WangTao	DATE	2020.01.03



Bubble#	OEM Number	Description	Notes
1	1000207794	USER FRAME SET;-;GM67-KM;-;	
10	1000200250	PREMIUM - REP COUNTER	
11	1000217859	PREMIUM - PIN SET;SA;ADJ SEAT;GM60;;;;;	Premium version of Kit 14.
12	1000300003	PREMIUM - Handle set,front,GM67,English,W Black	
13	1000217884	PREMIUM LEVEL;SA;-;GM67;;;;	Includes all Premium Level Parts (Kits 8-12).
14	1000228585	PIN SET;SA;SERVICE;GM67;;;;	Order Kit 11 for Premium.
2	1000217892	SEAT SET;-;GM67;-;	Dark Gray - Used before VSGM67HI2105G006. See service bulletin "Seat Adjustable Set Color Change".
2	1000466283	Seat Adjustable Set;;;Iced Sliver;;;GM67	For units produced on or after VSGM67HI2105G006. This part is Iced Silver. See service bulletin "Seat Adjustable Set Color Change".
3	1000395626	Handle set;;;Iced Sliver;Adjustable;;GM6	This part is attached with new hardware beginning with serial number GM67I1510GA012. See the service bulletin Limit Pillar Hardware Update.
4	1000228486	BASE CONNECT SET;SA;U;GM67;SERVICE;-;	
5	1000228483	PEDAL SET;SA;SERVICE;GM67;-;;	
6	1000207217	Wps;Superstratum;GM59	
7	1000113110	Assistant Weight Plate Set;;GM59-KM	Kit works with both light and heavy weight plate stacks. // Incremental Weight Plate Set
8	1000220477	PREMIUM - SHIELD SET;U;GM59;-;	
9	1000220728	PREMIUM - Air Shock Set;;GM59-KM	
AB1	1000208208	FRAME SET;-;GM67-KM;-;	This part has been redesigned, beginning with serial number GM67I1510GA012. See the service bulletin Limit Pillar Hardware Update.
AD1	1000228485	LINK ARM SET;SA;SERVICE;GM67;-;-;	
AG1	1000228487	BASE CONNECT SET;SA;D;GM67;SERVICE;;	Color changed from Dark Grey to Black Matte beginning in 2021. See service bulletin "Seat Adjustable Set Color Change".
AJ2	1000228484	SUPPORT PLATE;CHAIR;SERVICE;-;CHM;GM67;	Color changed from Dark Grey to Black Matte beginning in 2021. See service bulletin "Seat Adjustable Set Color Change".
AJ3	1000226811	DISASSEMBLY CONNECT SET;SA;SEAT;GM59-KM;	

AJ5	1000218106	SEAT SET;SUPPORT;PAINTING(DG 446C);GM67
AK13	1000215667	Weight Plate;axle sleeve;-;Extrawork,10LBS;GM
AK14	1000215776	WPS set;axle sleeve;-;Extrawork,15LBS;GM
AK21	1000207218	Wps Set;Superstratum;Paint;GM59;
AZ2	1000227612	SUPPORT SEAT SET;SA;-;-;-;
B06	1000303546	Plastic Pad;Foot Pad;-;PP;BL427
B10	1000230611	SUPPORT PLATE;WHEEL;;;SPHC;CHM;GM59;
B12	1000200716	ELASTOMER;WEIGHT;RUBBER;;;GM61;
B16	1000108501	Bushing;CON Rod;Peadel Arm;painting;GM40
B17	1000112984	Elastomer;Assistant Weight Plate;GM59
B25	1000204728	FIXING PLATE;ROPE WHEEL;;;SPHC;;;GM59-KM
B30	004929-00	Nut;Nylon;M8x1.25P;Chromed
B32	1000096026	Fixing Base;Sensor;ABS;GM40
B34	1000215843	PLASTIC PLATE;FRAME;CR;-;;;;
B35	1000230891	SCREW;SET;M10X1.5PX65L;FLATHEADED;HS;;;C
B36	1000215844	Guide Rod fitting, Chromed
B37	1000221624	BLOCK;-;-;PAINTING;-;-;-;
B38	073573	Pulley; 115mm
B39	004929-00	Nut;Nylon;M8x1.25P;Chromed
B50	1000108501	Bushing;CON Rod;Peadel Arm;painting;GM40
B76	1000233200	PLASTIC COVER;;NBR;BL;;;;
C13	049288-AB	WASHER;FLT;Diam.10.5XDiam.20.0X2.0T;;CHM
C21	1000098051	Bearing Cover;Base;ABS;GM40
C23	1000113094	Adjust Plate;Seat Chair;Chromeplate;SPHC
C24	1000096014	Bushing;15x19x20T;GM40
C31	005130-00	Washer;Flat;8.4x15.5x1.6T;Chromed
C35	096165	Adjustment Grip Set - APPLY RED LOCTITE TO PIN THREADS WHEN INSTALLING REPLACEMENT HANDLE
C39	1000102675	Stopper Block;Pull Pin;GM43
C40	1000358938	Spring;Compression;1.2x12.9x65Lx12N;65
C41	1000463037	Tube Cap;;;EPDM+PP;BL/Black C;50.5x100;

Color changed from Dark Grey to Black Matte beginning in 2021. See service bulletin "Seat Adjustable Set Color Change".
 10lb plate
 15lb Plate
 Kit works with both light and heavy weight plate stacks.

C46	009356-B	Stopper Mast;Foam;AL6061;GM03
C47	1000205448	PLASTIC COVER;-;-;-;;GM59;
C48	004078-A2	Ball Bearing;6005ZZ;Z25XZ47X12T;;TPI;;
D12	096208	Adjustment Handle Lower Stopper Ring
D17	1000108801	Screw;RND;M5x0.8Px15L;HS;CHM;BP;G8.8
D29	1000216133	BALANCE PLATE;-;10.4KG;-;-;HT200;
D30	1000110841	Grip;Pedal Arm ;wrap rubber;GM42-KM
D31	1000216299	FOAM;-;55%EPDM,25%PP,20%FILLER;GM67-KM;-
D32	1000098550	Bushing;38x30x20mm;GM44
D33	009358-D	Washer;Swivel Axle;SS41;
D34	1000201208	Plastic Cover;;ABS;OR;;;GM46;
D44	004855-AC	Set Screw;M6X1.0PX4L
D46	1000111378	Bushing;GM46
D48	1000111380	Space tach;GM46
D49	1000201580	Grip;hold sleeve;-;-;PAINTING;-;-;GM46
D50	1000111382	Cover;hold;GM46
D51	1000112412	Screw;Round;M6x1.0Px16L;Hex Socket;G8.8;
D57	1000366461	Limit Pillar;Stopper;;;Chrome;GM67;;
E09	009360-AA	Washer;Grip;Chromed
F01	1000489968	Steel Rope-Extrawork;;;Press Rope Hand;D
F14	1000300002	Fixing Cap;Guide Rail;;PP;BL/Black C;18x
F15	022400-A	Spring Pin;5x30L
H01	1000487589	Stopper Block;;;SBR;BL/Black C;;FW202;
J15	1000113095	Cover;Seat Chair;GM59
J22	1000205013	Ring;Pull pin;;SPHC;White Zinc;GM59-KM;D
J25	1000113092	Axis;Connect Pole;45#;Chromeplate;GM59
J26	1000226804	SEAT SET;SA;D;GM63;SERVE;;
J41	1000227041	SLEEVE;S45C;WZN;CONNECTING;
J42	084666	Screw;SH;M10X1.5PX160L;;HS;;CHM;;
K06	1000113106	Tightwire Fix Pin;45#;GM59

Added after serial number GM6711510GA012. See the service bulletin Limit Pillar Hardware Update.

Added after serial number GM6711510GA012. See the service bulletin Limit Pillar Hardware Update.

Color changed from Dark Grey to Black Matte beginning in 2021. See service bulletin "Seat Adjustable Set Color Change".

K07	1000113102	Guide Rod;SUS304;Diam.6X1421.7;GM59
K15	1000204997	Steel;Weight Plate;Up;1080 Spring Steel;
K17	1000202352	Cushion;Guide Rod
K37	1000209625	GUIDE ROD;45;-;WEGHT PLATE;
K38	1000102915	Circlip;E Type;;E-15;Cr Plate
K42	1000215659	BUSHING;GUIDE ROD;POM;;;
K44	1000102912	Circlip;External C Type;S-30;BED
K47	004945-00	Nut;Nylon;M12x1.75P;Chromed
L01	1000113111	Incremental Weight Plate;-;GM59-KM;-;Pai
L02	1000113107	Axis Sheath;Leader;GM59
L03	1000211166	PLASTIC BASE;ADD WEIGHT PLATE;POM;;;;;GM5
L04	1000210485	SCREW;SET;M5X0.8PX6L;FLAT POINT;HS;G8.8;
L05	1000200264	GRIPE;ABS+TPR ;GM59;
L10	1000201802	PULL PIN SET;WPS;GM62;-;
L11	1000207213	COVER;INCREMENTAL WEIGHT;ABS;-;-;-;
L13	070571	Washer;Flat;5.2X10.0X1.5T;;CHM;
L14	1000108801	Screw;RND;M5x0.8Px15L;HS;CHM;BP;G8.8
L14	1000108801	Screw;RND;M5x0.8Px15L;HS;CHM;BP;G8.8
L15	1000209576	PLASTIC BASE;MAGNET;ABS;;FIXING;;;
L28	1000224913	Cushion;Aaw;Nbr;Bl;
L31	1000232864	PERMANENT MAGNET;-;1500##;##;
N61	1000229510	WIRE;DISPLAY BOARD;-;;;OKI HARBOR 2.5-
N62	1000096575	Overlay;Manipulate;GM40
Not Shown	ZMS4003246	Decal, QR, VS-S40 Biceps Curl
Q01	1000113113	Cover;Up;ABS;GM59
Q02	1000113114	Cover;Front;Clarity ABS;GM59
Q07	1000209577	PLASTIC BASE;REP COUNTER;-;;FIXING;;;
Q09	1000209593	END CAP;ACCENT;
Q10	1000224767	Plastic Cover;-;-;PP;-;-;-;
Q12	1000209591	PLASTIC BAR;-;PVC;-;LABEL;;;
Q13	1000303486	Clamp;Cover;-
Q42	ZMS4001255	Battery, AA for console
Q44	001679-00	Tie Strap;Adhesive;Nylon;66;HC-101;W
Q45	005811-00	Cable Tie;Nylon;Black;160L

T06	086732	Foam;For50.8 Foot Pad;PL01	
V01	1000223123	INSTRUCTIONAL LABE;-;-;PC;FRONT;GM67;	
V02	1000223124	INSTRUCTIONAL LABE;-;-;PC;REAR;GM67;	
V03	1000215718	SPEC LABEL;10 LB;WEIGHT PLATE;BLACK;PC;;;	10lb labels.
V04	1000409123	Direction Label;Weight Plate;230lbs/140k	15lb labels.
V06	1000224396	INSTRUCTIONAL LABE;BASE TUBE;;;PC;DOWN;G	
V07	1000215724	DIRECTION LABEL;SEAT ADJUSTABLE;-;PC;RIG	
V09	1000215728	DIRECTION LABEL;SEAT ADJUSTABLE;;PC;;;	
V10	1000215723	DIRECTION LABEL;SEAT ADJUSTABLE;-;PC;LEF	
V12	1000217282	DIRECTION LABEL;SEAT ADJUSTABLE;-;PC;-;	
V13	1000221799	DIRECTION LABEL;AAW;-;PC;-;	
V22	093501	Warning sticker;small;GM40-KM	
V33	1000232600	Warning Label;-;-;PC;-;	
Z01	004493-00	Screw;Hex Socket;Round;M8x1.25Px16L	
Z03	1000215741	FIXED SET;-;RD;PAINTING;-;-;GM63;	
Z06	005047-00	Washer;Flat;8.2x20x1.8T;Black Zinc	
Z07	098577	SCREW HEX M8X1.25X35L	Part of the rep counter set
Z07	103406	Washer;Flat;8.2x20.0x1.8t;Cr Plat;	For Q01/main diagram page
Z09	0000086517	Screw;Round Hex Socket;M10x1.5Px25L	
Z09	0000086517	Screw;Round Hex Socket;M10x1.5Px25L	
Z10	004694-AC	Screw;Hex Socket;Flat;M8x1.25Px10L	
Z11	1000104003	Cap;Insert Nut;GM40-KM	
Z12	1000231572	SCREW;SH;M10X1.5PX20L;;;HS;BP;CHM;	
Z13	087097	Screw;SH;M10X1.5PX15L;;HS;;CHM;;	
Z14	020465-AB	Washer;Flat;M10.2X25PX2.0T;Chromed	
Z14	020465-AB	Washer;Flat;M10.2X25PX2.0T;Chromed	
Z16	1000104912	Washer;WW;26.0x34.0x0.3t;65Mn;BAN	
Z18	1000105174	Nut;Nylon;M10x1.5P;G12.9;CHM	
Z19	004548-AB	Screw;Hex Socket;Round;M10x1.5Px45L;Adhe	
Z23	020196-A	Screw;Phillip;BH;Tapped;3x6L;;Zn-BL	
Z24	004870-00	Screw;Plain Tapping;Rail Lock;5x15L	
Z25	004549-00	Screw;Hex Socket;Round;M10x1.5Px55L;Cr;	
Z27	020081-00	Screw;SH;M8X1.25PX60L;;HS;;;G12.9	
Z28	004482-AB	Screw;Hex Socket;Round;M8x1.25Px20L;Cr	

Z30	005144-AC	Washer;Flat;10.2X35.0X2.0T;Chromed	
Z33	1000097206	Screw;SH;M8X1.25PX25L;;HS;;CHM;;BP	
Z34	005155-A	Washer;Flat;6.2x12.0x2.0T;Black Zinc	
Z35	004460-AF	Screw;SH;M6X1.0PX20L;;HS;;CHM;;	
Z36	1000386527	Screw;Set Screw;M10X1.5PX10L;;Hex Socket	
Z39	081649	Washer;SPL;SW8 8.2X13.5X2.0T;;CHM;	
Z44	1000104672	Screw;BH;M5x0.8Px10L;HS;CST;CST;CST;CHM;	
Z57	1000102584	Screw;Hex;M10x1.5Px20L;Cr Plate;G12.9	
Z66	040816-A	Screw;Phillip;BH;Tapped;3x8L;	
AC1	Part of Kit 1	BASE SET;-;-;PAINTING;-;-;GM67-KM;	
AC2	Part of Kit 5	PEDAL;-;-;PAINTING;-;-;GM67-KM;	
AD3	Part of Kit 3	HANDLE SET;ADJUSTABLE;-;-;PAINTING;-;-;GM6	
AG2	Part of Kit 4	BASE CONNECT SET;-;-;U;PAINTING;-;-;GM67-K	
AJ1	Part of Kit 2	SEAT SET;SUPPORT;-;-;PAINTING(DG 446C);GM6	
AK21	Part of Kit 6	Wps Set;Superstratum;Paint;GM59;	
B40	Part of Kit 14	SPRING;CMP;13.0X38.2;65MN;WZN;	Kit?
H03	Part of Kit 14	Stopper Block;Pull Pin;GM43	Kit?
J01	See Pad Matrix	CUSHION;-;-;PU;BLACK;-;	
J02	See Pad Matrix	Cushion;PU;Black;	
J11	Part of Kit 9	AIR STICK;23KG;336.5L;GM59	
J21	Part of Kit 14	AXLE, CENTRAL;45;-;-;	Kit?
J22	Part of Kit 11	RING;SPHC;;;PULL PIN;	
J23	Part of Kit 14	Pull Pin Handle;TPP;ORANGE;GM59;;;	Kit?
Not Shown	1000208770	Hardware Kit	
Q06	Part of Kit 10	PLASTIC PAD;DISPLAY;TPE;;;;;	
Q11	Part of Kit 8	GRIPEND;TOP COVER;-;-;-;ADC12;	
Q14	Part of Kit 10	PLASTIC BASE;COUNTER;TPR;;;GM59-KM;	
Q40	Part of Kit 10	UCB;Matrix;GM40;H102S1.60	
Q48	Part of Kit 10	Fixing Base;PC;GM40	
V34	N/A	EN LABEL;;;PC;;;	Discontinued
11	1000228232	PREMIUM - PIN SET;SA;GM67;-;-;	Discontinued - Premium version of Kit 14. Discontinued - see 1000346755 and the service bulletin Limit Pillar Hardware Update.
3	1000217897	ARM REST WELDMENT;-;-;GM67;-;	

3	1000346755	Handle set;;;Adjustable;;GM67;;Service	Discontinued - This part is attached with new hardware beginning with serial number GM67I1510GA012. See the service bulletin Limit Pillar Hardware Update.
B50	1000098858	Bushing;CON Rod;Peadel Arm;painting;GM40	Discontinued
C40	005486-E	Spring;;;SWP;;GM09	Discontinued
C41	1000371560	Cap;Elliptical;;TPU;;Diam.50.0xDiam.100.	Discontinued
C48	004078-A2	Ball Bearing;6005ZZ;Z25XZ47X12T;;TPI;;;	Discontinued
C48	004078-00	Ball Bearing;6005ZZ;25X47X12T;;SKF;;;	Discontinued
F01	1000228488	DRIVE SET;SA;SERVICE;GM67;;;	Discontinued
F01	1000217896	Steel Rope;;;;Diam.4.8X3682L;;GM67;	Discontinued
H01	090440	Stopper BlockRubber;GM30	Discontinued
J26	1000200194	CONNECT POLE;-;D;SPHC;PAINTING(DG 446C);	Discontinued - Color changed from Dark Grey to Black Matte beginning in 2021. See service bulletin "Seat Adjustable Set Color Change".
L01	1000215719	BUSHING;Q195;-;AAW;	Discontinued
Q13	1000209592	CLAMP;COVER;TINNERMAN;D43806-014;-;-;	Discontinued
V04	1000215727	DIRECTION LABEL;WEIGHTPLATE#15LBS;;PC;;;	Discontinued - 15lb labels.
Z03	1000226805	FIX SET;SA;;GM63;SERVE;;	Discontinued